

Star Type Turret

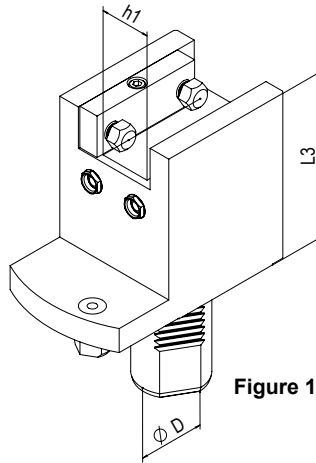


Figure 1

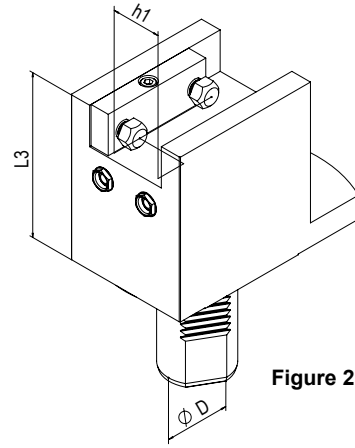


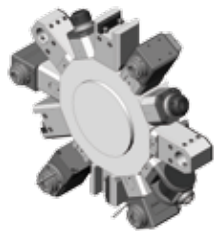
Figure 2

RADIAL OVERHEAD HOLDER, SQUARE LOCKING DRIVE



Order Code	£	ØD	h ₁	L ₃	Figure
114A018559001	POA	40	20x20	140	1
114A041559001	POA	40	20x20	110	2
114A078559001	POA	40	20x20	110	1
114A039559001	POA	40	25x25	140	2
115A019559001	POA	50	25x25	168	1
115A021559001	POA	50	25x25	160	2

Please inform our technical department of your machine type and number of turret mounts. Star style turret VDI holders can differ from machine to machine. Once we know your machine type and turret we will send an accurate quotation.



Star Type Turret

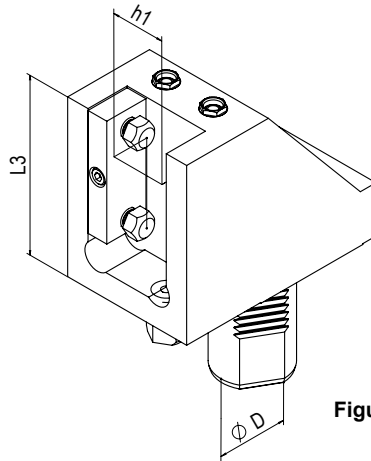


Figure 3

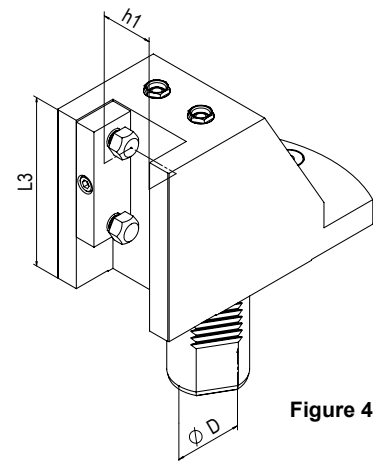


Figure 4

AXIAL OVERHEAD HOLDER, TURNING TOOL HOLDER



Order Code	£	ØD	h ₁	L ₃	Figure
114A078560001	POA	40	20x20	100	3
114A041560001	POA	40	20x20	110	4
114A018560001	POA	40	20x20	120	3
114A039560001	POA	40	25x25	120	4
115A019560001	POA	50	20x20	100	3
115A021560001	POA	50	25x25	150	4

Please inform our technical department of your machine type and number of turret mounts. Star style turret VDI holders can differ from machine to machine. Once we know your machine type and turret we will send an accurate quotation.