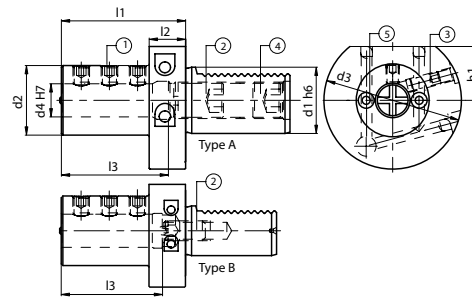


E2

BORING BAR HOLDER

Order Code	£	d1	d2	d3	d4	h1	l1	l2	l3	Type
E2-16X6	£52.00	16	32	40	6	18	44	13	34	B
E2-16X8	£52.00	16	32	40	8	18	44	13	34	B
E2-16X10	£52.00	16	32	40	10	18	44	13	34	B
E2-16X12	£52.00	16	40	40	12	18	44	13	34	B
E2-16X16	£52.00	16	40	40	16	18	44	13	34	B
E2-20X6	£52.00	20	40	50	6	23	50	18	42	B
E2-20X8	£52.00	20	40	50	8	23	50	18	42	B
E2-20X10	£52.00	20	40	50	10	23	50	18	42	B
E2-20X12	£52.00	20	40	50	12	23	50	18	42	B
E2-20X16	£52.00	20	42	50	16	23	50	18	42	B
E2-20X20	£52.00	20	49	50	20	23	50	18	42	B
E2-20X25	£52.00	20	49	50	25	23	60	18	52	B
E2-25X8	£52.00	25	40	58	8	25	50	18	41	A
E2-25X10	£52.00	25	40	58	10	25	50	18	41	A
E2-25X12	£52.00	25	40	58	12	25	50	18	41	A
E2-25X16	£52.00	25	40	58	16	25	50	18	41	B
E2-25X20	£52.00	25	58	58	20	25	50	18	41	B
E2-25X25	£52.00	25	58	58	25	25	60	18	51	B
E2-25X32	£52.00	25	58	58	32	25	75	18	62	B
E2-30X6	£54.08	30	55	68	6	28	60	22	43	A
E2-30X8	£54.08	30	55	68	8	28	60	22	43	A
E2-30X10	£54.08	30	55	68	10	28	60	22	43	A
E2-30X12	£54.08	30	55	68	12	28	60	22	43	A
E2-30X16	£54.08	30	55	68	16	28	60	22	55	A
E2-30X20	£54.08	30	55	68	20	28	60	22	54	B
E2-30X25	£54.08	30	55	68	25	28	60	22	54	B
E2-30X32	£54.08	30	67	68	32	28	75	22	61	B
E2-30X40	£54.08	30	67	68	40	28	75	22	66	B
E2-40X6	£58.24	40	55	83	6	32.5	75	22	43	A
E2-40X8	£58.24	40	55	83	8	32.5	75	22	43	A
E2-40X10	£58.24	40	55	83	10	32.5	75	22	43	A
E2-40X12	£58.24	40	55	83	12	32.5	75	22	58	A
E2-40X16	£58.24	40	55	83	16	32.5	75	22	61	A
E2-40X20	£58.24	40	55	83	20	32.5	75	22	61	A
E2-40X25	£58.24	40	55	83	25	32.5	75	22	61	B
E2-40X30	£58.24	40	82	83	30	32.5	75	22	61	B
E2-40X32	£58.24	40	82	83	32	32.5	75	22	61	B
E2-40X40	£58.24	40	82	83	40	32.5	90	22	76	B



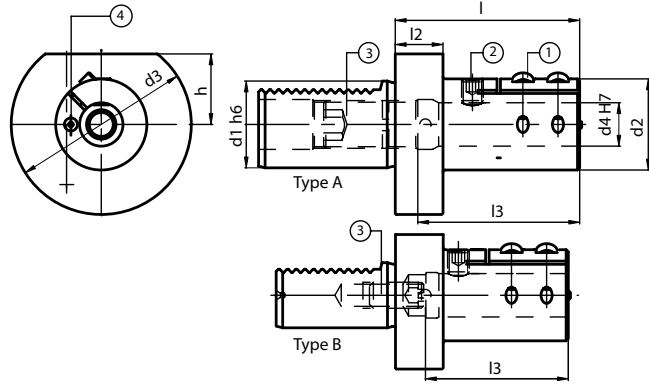
BORING BAR HOLDER (CONTINUED)

E2

Order Code	£	d1	d2	d3	d4	h1	l1	l2	l3	Type
E2-50X12	£74.88	50	68	98	12	35	90	30	71	A
E2-50X16	£74.88	50	68	98	16	35	90	30	76	A
E2-50X20	£74.88	50	68	98	20	35	90	30	76	A
E2-50X25	£74.88	50	68	98	25	35	90	30	76	A
E2-50X32	£74.88	50	69	98	32	35	90	30	76	B
E2-50X40	£74.88	50	98	98	40	35	90	-	76	B
E2-50X50	£74.88	50	98	98	50	35	100	-	86	B
E2-60X16	£111.28	60	68	123	16	42.5	90	30	76	A
E2-60X20	£111.28	60	68	123	20	42.5	90	30	76	A
E2-60X25	£111.28	60	68	123	25	42.5	90	30	76	A
E2-60X32	£111.28	60	68	123	32	42.5	90	30	76	A
E2-60X40	£111.28	60	98	123	40	42.5	90	30	76	B
E2-60X50	£111.28	60	98	123	50	42.5	100	30	86	B
E2-80X20	£286.00	80	68	158	20	55	100	30	86	A
E2-80X25	£286.00	80	68	158	25	55	100	30	86	A
E2-80X32	£286.00	80	68	158	32	55	100	30	86	A
E2-80X40	£286.00	80	98	158	40	55	100	30	86	A
E2-80X50	£286.00	80	98	158	50	55	100	30	92	B
E2-80X60	£286.00	80	98	158	60	55	100	30	92	B



VDI TOOLING Anti-Vibration Boring Bar Holders



ANTI-VIBRATION BORING BAR HOLDER (FOR CARBIDE SHANKS) **E2-TAG**

Order Code	£	d1	d2	d3	d4	h1	l1	l2	l3	Type
E2-30X6-TAG	£76.96	30	32	68	6	28	75	22	65	A
E2-30X8-TAG	£76.96	30	34	68	8	28	75	22	65	A
E2-30X10-TAG	£76.96	30	38	68	10	28	75	22	65	A
E2-30X12-TAG	£76.96	30	38	68	12	28	75	22	65	A
E2-30X16-TAG	£76.96	30	42	68	16	28	75	22	70	A
E2-30X20-TAG	£76.96	30	42	68	20	28	75	22	66	B
E2-30X25-TAG	£76.96	30	48	68	25	28	75	22	66	B
E2-30X32-TAG	£76.96	30	56	68	32	28	75	22	65	B
E2-30X40-TAG	£76.96	30	65	68	40	28	75	22	67	B
E2-40X6-TAG	£81.12	40	32	83	6	32.5	75	22	65	A
E2-40X8-TAG	£81.12	40	34	83	8	32.5	75	22	65	A
E2-40X10-TAG	£81.12	40	38	83	10	32.5	75	22	65	A
E2-40X12-TAG	£81.12	40	38	83	12	32.5	75	22	65	A
E2-40X16-TAG	£81.12	40	42	83	16	32.5	75	22	68	A
E2-40X20-TAG	£81.12	40	42	83	20	32.5	85	22	80	A
E2-40X25-TAG	£81.12	40	48	83	25	32.5	85	22	76	B
E2-40X32-TAG	£81.12	40	56	83	32	32.5	85	22	76	B
E2-40X40-TAG	£81.12	40	65	83	40	32.5	97	22	90	B
E2-50X16-TAG	£107.12	50	42	98	16	35	93	30	85	A
E2-50X20-TAG	£107.12	50	42	98	20	35	93	30	85	A
E2-50X25-TAG	£107.12	50	48	98	25	35	98	30	90	A
E2-50X32-TAG	£107.12	50	56	98	32	35	98	30	90	B
E2-50X40-TAG	£107.12	50	65	98	40	35	11	30	105	B
E2-50X50-TAG	£111.28	50	76	98	50	35	12	30	112	B
E2-60X25-TAG	£162.24	60	48	123	25	42.5	98	30	90	A
E2-60X32-TAG	£162.24	60	56	123	32	42.5	98	30	90	A
E2-60X40-TAG	£162.24	60	65	123	40	42.5	115	30	105	B
E2-60X50-TAG	£162.24	60	76	12	50	42.5	125	30	112	B

Spindle Tooling

Dinox Modular

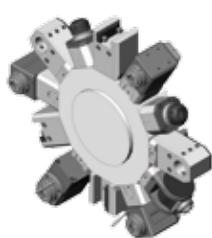
Angle Heads

VDI Tooling

Driven Tooling

Vices & Clamps

HSK ICTM



Star Type Turret

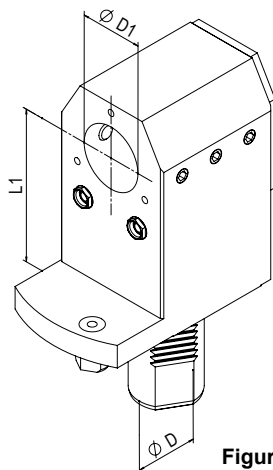


Figure 1

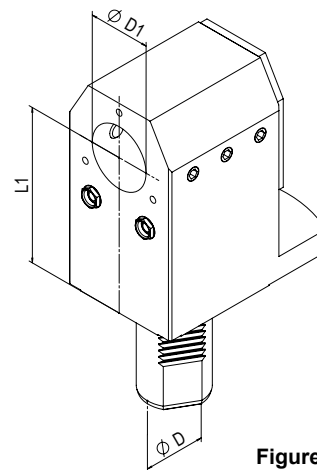


Figure 2

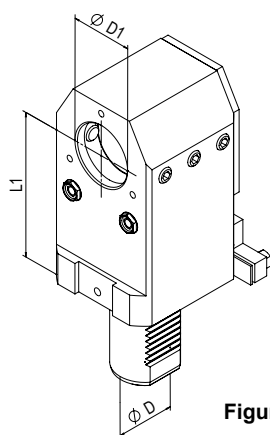


Figure 3

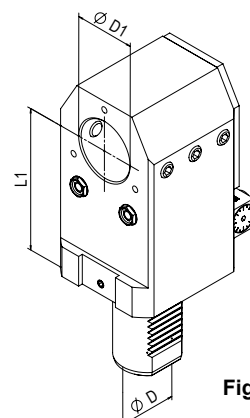


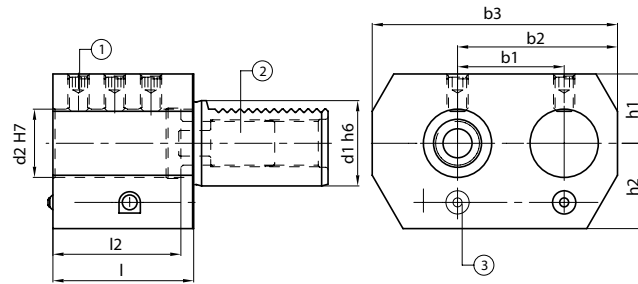
Figure 4

BORING BAR HOLDER (FOR STAR STYLE TURRET)



Order Code	£	ØD	D ₁	L ₁	Figure
325A005578001	POA	25	25	80	4
113A012578001	POA	30	25	80	4
113A012578002	POA	30	25	100	4
113A055578001	POA	30	25	80	4
114A018578001	POA	40	32	150	1
114A078578001	POA	40	32	130	1
115A019578001	POA	50	50	190	1
114A039578001	POA	40	32	140	2
114A041578001	POA	40	32	110	2
115A021578001	POA	50	40	175	2
115A021578002	POA	50	50	175	2
114A054578001	POA	40	32	100	3
114A035578001	POA	40	40	100	4
114A035578001	POA	40	32	120	4
114A035578001	POA	40	32	100	4
114A110578001	POA	40	32	90	4

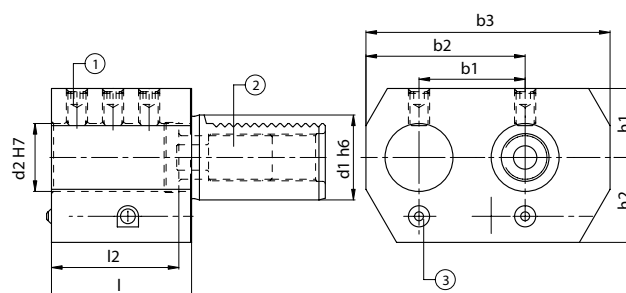
Please inform our technical department of your machine type and number of turret mounts. Star style turret VDI holders can differ from machine to machine. Once we know your machine type and turret we will send an accurate quotation.



DOUBLE BORING BAR HOLDER RIGHT

E7

Order Code	£	d1	d2	h1	h2	l1	l2	b1	b2	b3
E7-20X16	£145.60	20	16	25	25	45	42	32	51	76
E7-20X20	£145.60	20	20	25	25	45	42	32	51	76
E7-30X25	£170.56	30	25	28	32	56	52	45	65	95
E7-40X32	£174.72	40	32	32.5	40	66	60	50	75	115
E7-50X32	£298.48	50	32	32.5	47,5	66	60	50	75	115
E7-50X50	£315.12	50	50	35	49	90	80	68	103	152



DOUBLE BORING BAR HOLDER LEFT

E8

Order Code	£	d1	d2	h1	h2	l1	l2	b1	b2	b3
E8-20X16	£145.60	20	16	25	25	45	42	32	51	76
E8-20X20	£145.60	20	20	25	25	45	42	32	51	76
E8-30X25	£170.56	30	25	28	32	56	52	45	65	95
E8-40X32	£174.72	40	32	32.5	40	66	60	50	75	115
E8-50X32	£298.48	50	32	32.5	47.5	66	60	50	75	115
E8-50X50	£315.12	50	50	35	49	90	80	68	103	152