

Star Type Turret

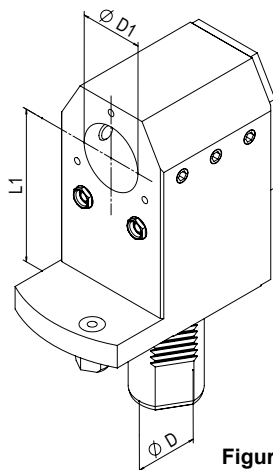


Figure 1

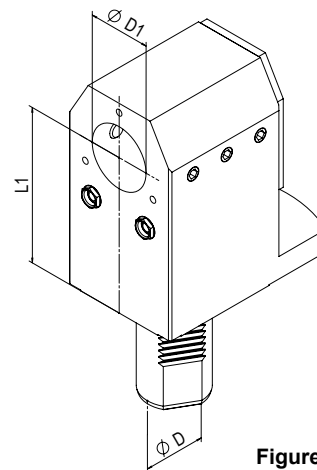


Figure 2

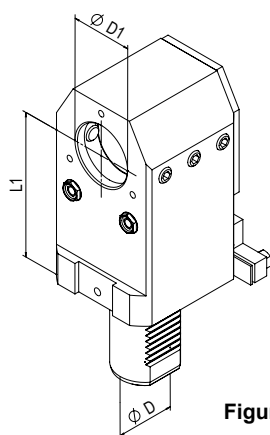


Figure 3

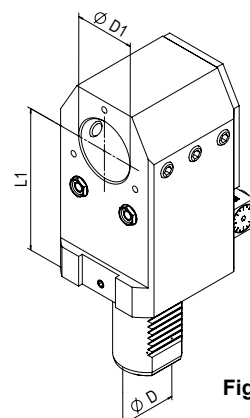


Figure 4

BORING BAR HOLDER (FOR STAR STYLE TURRET)



Order Code	£	ØD	D ₁	L ₁	Figure
325A005578001	POA	25	25	80	4
113A012578001	POA	30	25	80	4
113A012578002	POA	30	25	100	4
113A055578001	POA	30	25	80	4
114A018578001	POA	40	32	150	1
114A078578001	POA	40	32	130	1
115A019578001	POA	50	50	190	1
114A039578001	POA	40	32	140	2
114A041578001	POA	40	32	110	2
115A021578001	POA	50	40	175	2
115A021578002	POA	50	50	175	2
114A054578001	POA	40	32	100	3
114A035578001	POA	40	40	100	4
114A035578001	POA	40	32	120	4
114A035578001	POA	40	32	100	4
114A110578001	POA	40	32	90	4

Please inform our technical department of your machine type and number of turret mounts. Star style turret VDI holders can differ from machine to machine. Once we know your machine type and turret we will send an accurate quotation.