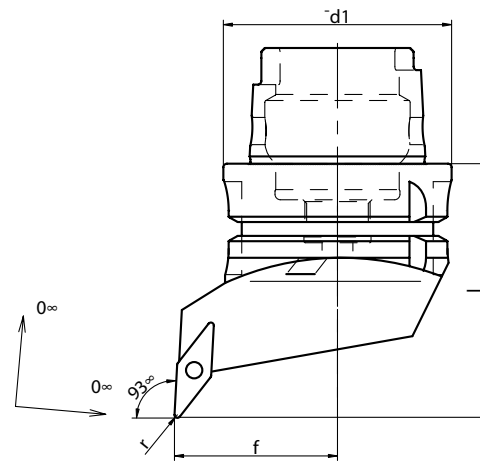


SDNCN TURNING TOOL

Order Code	£	HSK (d1)	l	r	Inserts	Shim	Shim Pin	Screw
H32CSDNCN07	£92.00	32	40	0.4	DC..0702..	-	-	TR1
H40ASDNCN11	£92.00	40	50	0.8	DC..11T3..	SPDC11	VTA02	TR8
H50ASDNCN11	£117.00	50	60	0.8	DC..11T3..	SPDC11	VTA02	TR8
H63ASDNCN11	£130.00	63	75	0.8	DC..11T3..	SPDC11	VTA02	TR8
H100ASDNCN11	£192.00	100	90	0.8	DC..11T3..	SPDC11	VTA02	TR8



SVJBR/L TURNING TOOL

Order Code	£	HSK (d1)	l	f	r	Inserts	Shim	Shim Pin	Screw
H32CSVJBR/L11	£92.00	32	40	22	0.4	VB..1102..	-	-	TR1
H40ASVJBR/L11	£92.00	40	50	27	0.4	VB..1102..	-	-	TR1
H40ASVJBR/L16	£92.00	40	60	27	0.8	VB..1604..	SPVC16	VTA02	TR8
H50ASVJBR/L16	£117.00	50	70	35	0.8	VB..1604..	SPVC16	VTA02	TR8
H63ASVJBR/L16	£130.00	63	75	45	0.8	VB..1604..	SPVC16	VTA02	TR8
H100ASVJBR/L16	£192.00	100	90	65	0.8	VB..1604..	SPVC16	VTA02	TR8