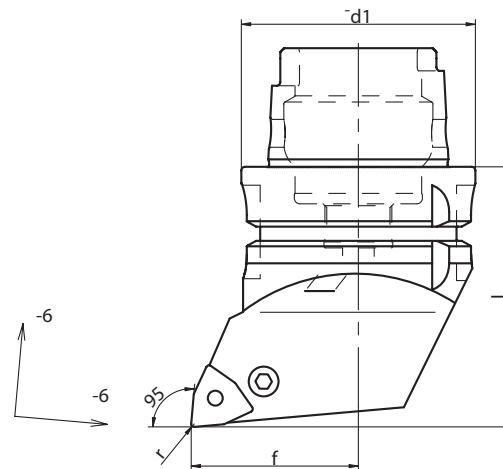


DWLNR/L TURNING TOOL

Order Code	£	HSK (d1)	l	f	r	Inserts	Shim	Shim Pin	Clamp	Spring	Screw
H40ADWLNL/R06	£159.00	40	50	27	0.8	WNM.0604..	SPWN06	SP05	STF11L/R	M1	VT21
H50ADWLNL/R06	£159.00	50	60	35	0.8	WNM.0604..	SPWN06	SP05	STF11L/R	M1	VT21
H50ADWLNL/R08	£159.00	50	60	35	0.8	WNM.0804..	SPWN08	SP02	STF12L/R	M2	VT22
H63ADWLNL/R08	£163.00	63	70	45	0.8	WNM.0804..	SPWN08	SP02	STF12L/R	M2	VT22
H100ADWLNL/R08	£251.00	100	90	65	0.8	WNM.0804..	SPWN08	SP02	STF12L/R	M2	VT22



PWLNR/L TURNING TOOL

Order Code	£	HSK (d1)	l	f	r	Inserts	Shim	Shim Pin	Lever	Screw
H32CPWLNR/L06*	£92.00	32	40	22	0.8	WN..0604..	SPWN06	SP05	LV01	VT01
H40APWLNR/L06	£92.00	40	50	27	0.8	WN..0604..	SPWN06	SP05	LV01	VT01
H40APWLNR/L08	£92.00	40	50	27	0.8	WN..0804..	SPWN08	SP02	LV02	VT02
H50APWLNR/L06	£117.00	50	60	35	0.8	WN..0604..	SPWN06	SP05	LV01	VT01
H50APWLNR/L08	£117.00	50	60	35	0.8	WN..0804..	SPWN08	SP02	LV02	VT02
H63APWLNR/L08	£130.00	63	70	45	0.8	WN..0804..	SPWN08	SP02	LV02	VT02
H100APWLNR/L08	£192.00	100	90	65	0.8	WN..0804..	SPWN08	SP02	LV02	VT02

*HSK type C only