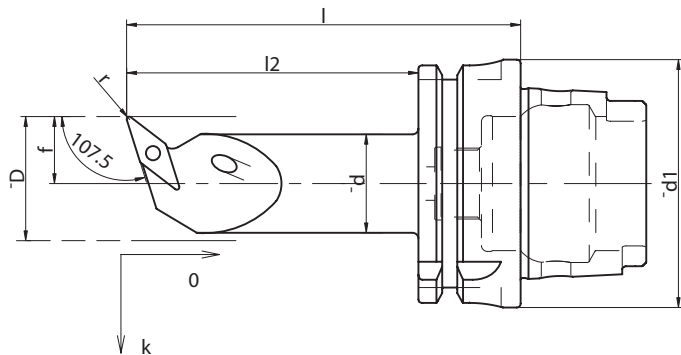


## STFCR/L BORING BAR

Order Code	£	HSK (d1)	d	l	l2	f	k	D	r	Inserts	Shim	Shim Screw	Screw
H32C20STFCR/L11*	£113.00	32	20	70	55	13	-8	25	0.4	TC..1102..	-	-	TR1
H32C25STFCR/L16*	£113.00	32	25	85	70	17	-5	32	0.8	TC..16T3..	-	-	TR14
H40A20STFCR/L11	£113.00	40	20	75	55	13	-8	25	0.4	TC..1102..	-	-	TR1
H40A25STFCR/L16	£117.00	40	25	90	70	17	-5	32	0.8	TC..16T3..	-	-	TR14
H40A32STFCR/L16	£117.00	40	32	110	90	22	-5	40	0.8	TC..16T3..	SPTC16	VTA02	TR8
H50A20STFCR/L11	£126.00	50	20	85	59	13	-8	25	0.4	TC..1102..	-	-	TR1
H50A25STFCR/L16	£130.00	50	25	100	74	17	-5	32	0.8	TC..16T3..	-	-	TR14
H50A32STFCR/L16	£134.00	50	32	120	94	22	-5	40	0.8	TC..16T3..	SPTC16	VTA02	TR8
H50A40STFCR/L16	£138.00	50	40	140	114	27	-5	50	0.8	TC..16T3..	SPTC16	VTA02	TR8
H63A20STFCR/L11	£138.00	63	20	85	59	13	-8	25	0.4	TC..1102..	-	-	TR1
H63A25STFCR/L16	£138.00	63	25	100	74	17	-5	32	0.8	TC..16T3..	-	-	TR14
H63A32STFCR/L16	£142.00	63	32	120	94	22	-5	40	0.8	TC..16T3..	SPTC16	VTA02	TR8
H63A40STFCR/L16	£147.00	63	40	140	114	27	-5	50	0.8	TC..16T3..	SPTC16	VTA02	TR8
H100A40STFCR/L16	£255.00	100	40	160	131	27	-5	50	0.8	TC..16T3..	SPTC16	VTA02	TR8
H100A50STFCR/L16	£263.00	100	50	190	161	35	-5	63	0.8	TC..16T3..	SPTC16	VTA02	TR8



## SVQBR/L BORING BAR

Order Code	£	HSK (d1)	d	l	l2	f	k	D	r	Inserts	Shim	Shim Screw	Screw
H32C20SVQBR/L11*	£113.00	32	20	70	55	13	-8	25	0.4	VB..1102..	-	-	TR1
H32C25SVQBR/L11*	£113.00	32	25	85	70	17	-5	32	0.4	VB..1102..	-	-	TR1
H40A20SVQBR/L11	£113.00	40	20	75	55	13	-8	25	0.4	VB..1102..	-	-	TR1
H40A25SVQBR/L11	£117.00	40	25	90	70	17	-5	32	0.4	VB..1102..	-	-	TR1
H40A32SVQBR/L16	£117.00	40	32	110	90	22	-10	40	0.8	VB..1604..	SPVC16	VTA02	TR8
H50A20SVQBR/L11	£126.00	50	20	85	59	13	-8	25	0.4	VB..1102..	-	-	TR1
H50A25SVQBR/L11	£130.00	50	25	100	74	17	-5	32	0.4	VB..1102..	-	-	TR1
H50A32SVQBR/L16	£134.00	50	32	120	94	22	-10	40	0.8	VB..1604..	SPVC16	VTA02	TR8
H63A20SVQBR/L11	£138.00	63	20	85	59	13	-8	25	0.4	VB..1102..	-	-	TR1
H63A25SVQBR/L11	£138.00	63	25	100	74	17	-5	32	0.4	VB..1102..	-	-	TR1
H63A32SVQBR/L16	£142.00	63	32	120	94	22	-10	40	0.8	VB..1604..	SPVC16	VTA02	TR8
H63A40SVQBR/L16	£147.00	63	40	140	114	27	-10	50	0.8	VB..1604..	SPVC16	VTA02	TR8
H100A40SVQBR/L16	£255.00	100	40	160	131	27	-10	50	0.8	VB..1604..	SPVC16	VTA02	TR8
H100A50SVQBR/L16	£263.00	100	50	190	161	35	-8	63	0.8	VB..1604..	SPVC16	VTA02	TR8

\*HSK type C only