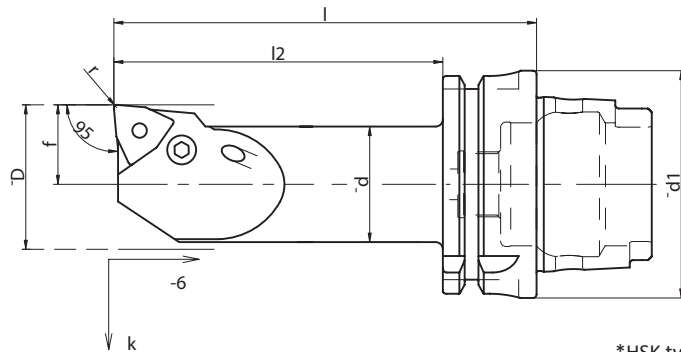


## PTFNR/L BORING BAR

Order Code	£	HSK (d1)	d	l	l2	f	k	D	r	Inserts	Shim	Shim Pin	Lever	Screw
H32C20PTFNR/L11*	£113.00	32	20	70	55	13	-12	25	0.4	TN..1103..	-	-	LV06	VT06
H32C25PTFNR/L16*	£113.00	32	25	85	70	17	-12	32	0.8	TN..1604..	SPTN16	SP05	LV01	VT01
H40A20PTFNR/L11	£113.00	40	20	75	55	13	-12	25	0.4	TN..1103..	-	-	LV06	VT06
H40A25PTFNR/L16	£117.00	40	25	90	70	17	-12	32	0.8	TN..1604..	SPTN16	SP05	LV01	VT01
H40A32PTFNR/L16	£117.00	40	32	110	90	22	-12	40	0.8	TN..1604..	SPTN16	SP05	LV01	VT01
H50A20PTFNR/L11	£126.00	50	20	85	59	13	-12	25	0.4	TN..1103..	-	-	LV06	VT06
H50A25PTFNR/L16	£130.00	50	25	100	74	17	-12	32	0.8	TN..1604..	SPTN16	SP05	LV01	VT01
H50A32PTFNR/L16	£134.00	50	32	120	94	22	-12	40	0.8	TN..1604..	SPTN16	SP05	LV01	VT01
H50A40PTFNR/L16	£138.00	50	40	140	114	27	-8	50	0.8	TN..1604..	SPTN16	SP05	LV01	VT01
H63A20PTFNR/L11	£138.00	63	20	85	59	13	-12	25	0.4	TN..1103..	-	-	LV06	VT06
H63A25PTFNR/L16	£138.00	63	25	100	74	17	-12	32	0.8	TN..1604..	SPTN16	SP05	LV01	VT01
H63A32PTFNR/L16	£142.00	63	32	120	94	22	-12	40	0.8	TN..1604..	SPTN16	SP05	LV01	VT01
H63A40PTFNR/L16	£147.00	63	40	140	114	27	-8	50	0.8	TN..1604..	SPTN16	SP05	LV01	VT01
H100A40PTFNR/L16	£255.00	100	40	160	131	27	-8	50	0.8	TN..1604..	SPTN16	SP05	LV01	VT01
H100A50PTFNR/L16	£263.00	100	50	190	161	35	-8	63	0.8	TN..1604..	SPTN16	SP05	LV01	VT01



## PWLNR/L BORING BAR

\*HSK type C only

Order Code	£	HSK (d1)	d	l	l2	f	k	D	r	Inserts	Shim	Shim Pin	Lever	Screw
H32C20PWLNR/L06*	£113.00	32	20	70	55	13	-15	25	0.8	WN..0604..	SPWN06	SP05	LV01	VT01
H32C25PWLNR/L06*	£113.00	32	25	85	70	17	-12	32	0.8	WN..0604..	SPWN06	SP05	LV01	VT01
H40A20PWLNR/L06	£113.00	40	20	75	55	13	-15	25	0.8	WN..0604..	SPWN06	SP05	LV01	VT01
H40A25PWLNR/L08	£117.00	40	25	90	70	17	-12	32	0.8	WN..0804..	-	-	LV11	VT10
H40A32PWLNR/L08	£117.00	40	32	110	90	22	-12	40	0.8	WN..0804..	SPWN08	SP02	LV02	VT02
H50A20PWLNR/L06	£126.00	50	20	85	59	13	-15	25	0.8	WN..0604..	SPWN06	SP05	LV01	VT01
H50A25PWLNR/L08	£130.00	50	25	100	74	17	-12	32	0.8	WN..0804..	-	-	LV11	VT10
H50A32PWLNR/L08	£134.00	50	32	120	94	22	-12	40	0.8	WN..0804..	SPWN08	SP02	LV02	VT02
H50A40PWLNR/L08	£138.00	50	40	140	114	27	-10	50	0.8	WN..0804..	SPWN08	SP02	LV02	VT02
H63A20PWLNR/L06	£138.00	63	20	85	59	13	-15	25	0.8	WN..0604..	SPWN06	SP05	LV01	VT01
H63A25PWLNR/L08	£138.00	63	25	100	74	17	-12	32	0.8	WN..0804..	-	-	LV11	VT10
H63A32PWLNR/L08	£142.00	63	32	120	94	22	-12	40	0.8	WN..0804..	SPWN08	SP02	LV02	VT02
H63A40PWLNR/L08	£147.00	63	40	140	114	27	-10	50	0.8	WN..0804..	SPWN08	SP02	LV02	VT02
H100A40PWLNR/L08	£255.00	100	40	160	131	27	-10	50	0.8	WN..0804..	SPWN08	SP02	LV02	VT02
H100A50PWLNR/L08	£263.00	100	50	190	161	35	-8	63	0.8	WN..0804..	SPWN08	SP02	LV02	VT02