

## BENZ Service



### Service benefits: customized, added value, economical

#### Individual crash-package

Recommended for customer specific solutions and special heads; includes wear as well as specialty parts.

#### Spare parts management

We can deliver original parts with high availability

#### Repair Service

In case of a repair we will fix the damage within the shortest possible time frame.  
On request we will perform a complete overhaul.

#### Express Service

Benefit from our Express Service with its short throughput time for a fixed price.

#### Preventive maintenance

We maintain the proper state of your driven tools and will work on the maintenance during your shutdown periods.

## Inquiry form for driven live tools

For a complete quote, please copy this questionnaire and fill out this form. If there are any problems, our technical staff will be glad to assist you.

Company \_\_\_\_\_

Address \_\_\_\_\_

Last name \_\_\_\_\_ First name \_\_\_\_\_

Phone \_\_\_\_\_ Function \_\_\_\_\_

Email \_\_\_\_\_ Date \_\_\_\_\_

Machine manufacturer  
e.g. Gildemeister \_\_\_\_\_

Model  
e.g. CTX400 \_\_\_\_\_

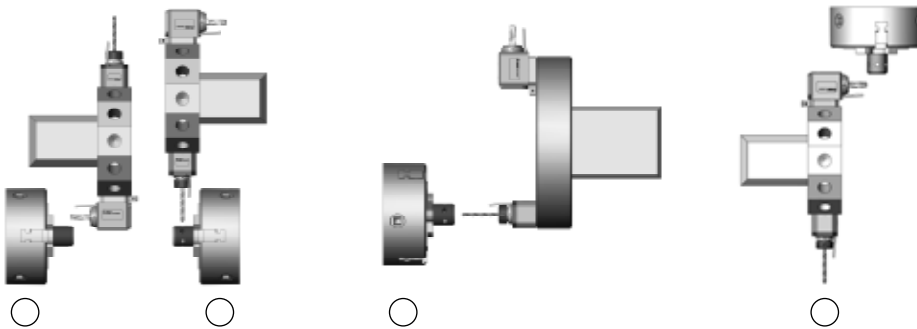
Shank diameter  
e.g. VDI 40 nach DIN 69880 | BMT 60 \_\_\_\_\_

Turret manufacturer  
e.g. Sauter; Duplomatic \_\_\_\_\_

Number of tools  
e.g. 8 | 12 | 16 \_\_\_\_\_

Turret drive  
e.g. DIN 5480 \_\_\_\_\_

Turret type \_\_\_\_\_



### Live tool specification

Coolant supply  External coolant  
 Internal coolant

### Design of the tool

Axial \_\_\_\_\_

Radial \_\_\_\_\_

offset \_\_\_\_\_

double spindle \_\_\_\_\_

swivel \_\_\_\_\_

other \_\_\_\_\_

left hand tool

right hand tool

Other \_\_\_\_\_

### Material to be machined

\_\_\_\_\_

### Application

Drilling       Milling

Tapping

Milling (interrupted cut)

### Taper connection

e.g. ER16/BMS40/KM40/HSK50

### Accessories needed

e.g. Collets with locking drive

\_\_\_\_\_

Please attach a drawing or sketch of the workpiece to the form if possible.