

Angle head fixed angle with internal coolant

Size 05

Any angle is possible



All Angle Heads Available With:



MAS BT



ISO SK
DIN 69871; DIN 2080



HSK DIN 69893



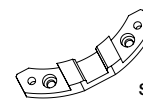
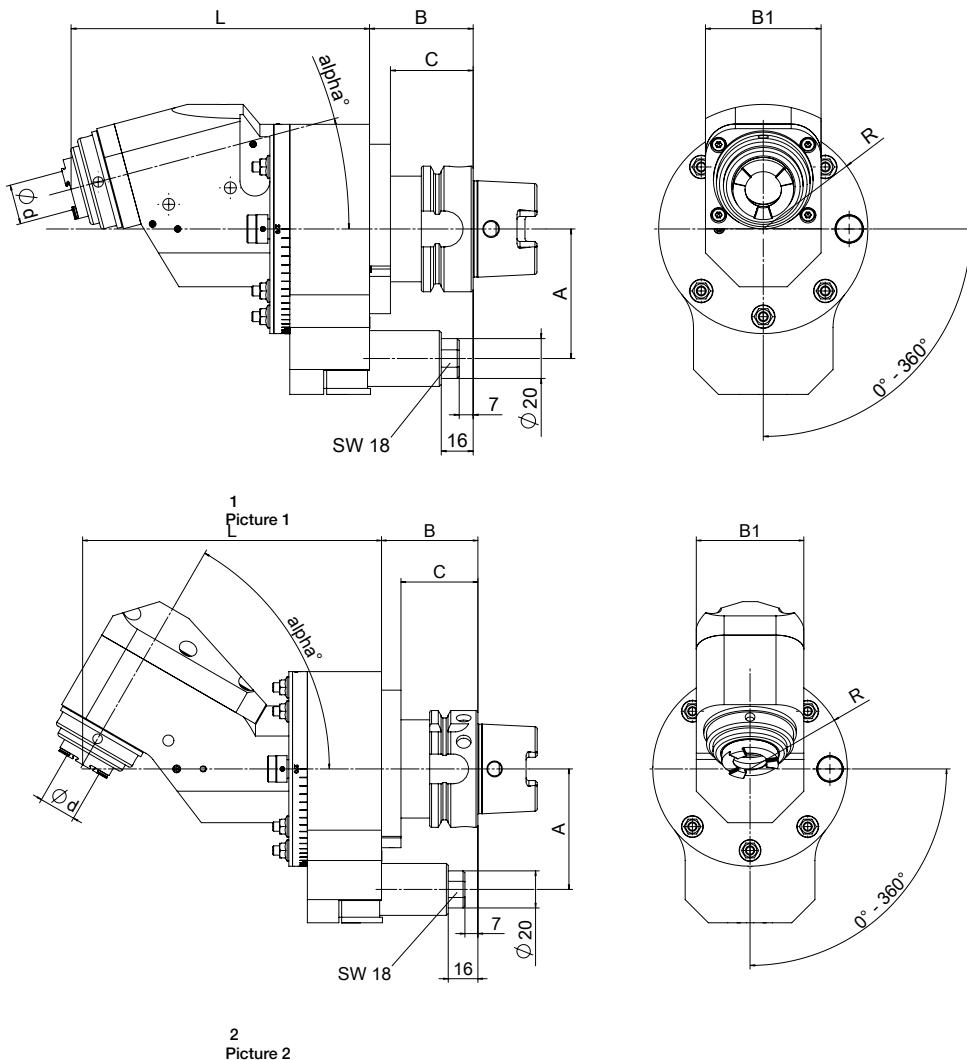
Coromant Capto®



KM™



CAT



Stop block see page C9

FIX WFX05

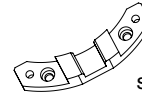
Part No.	Drive	Type	Standard Output	d [mm]	n [1/min]	i	T [Nm]	EC	IC	p max. [bar]	Dimensions							kg	Pic.
											A	R	alpha	L	B	C	B ₁		
711WFX00205E5A-15°	HSK 63	WFX05	ER 25 A	1 - 16	8.000	1:1	30	-	•	100	65	15°	ca. 200	52	42	58	5	1	
711WFX00205E5A-30°										50		30°	ca. 185						
711WFX00205E5A-45°										100		45°	ca. 210						
711WFX00205E5A-60°										100		60°	ca. 215						
711WFX00205E5A-75°										100		75°	ca. 210						
713WFX00205E5A-15°	HSK 100	WFX05	ER 25 A	1 - 16	8.000	1:1	30	-	•	100	80	15°	ca. 205	55	45	58	7,5	2	
713WFX00205E5A-30°										50		30°	ca. 190						
713WFX00205E5A-45°										100		45°	ca. 215						
713WFX00205E5A-60°										100		60°	ca. 220						
713WFX00205E5A-75°										100		75°	ca. 215						

Wrench included

Angle head fixed angle with internal coolant

Size 07

Any angle is possible



Stop block see page C9

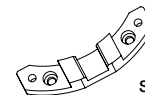
FIX WFX07

Part No.	Drive	Type	Standard Output	d [mm]	n [1/min]	i	T [Nm]	EC	IC	p max. [bar]	Dimensions								
											A	R	alpha	L	B	C	B ₁	kg	Pic.
713WFX00207E6A-15°	HSK 100	WFX07	ER 32 A	2 - 20	6.000	1:1	70	-	•	100	80	62,5	15°	ca. 225	55	45	70	9,5	1
713WFX00207E6A-30°													ca. 210	9					
713WFX00207E6A-45°													ca. 240	10				2	
713WFX00207E6A-60°													ca. 240	10					
713WFX00207E6A-75°													ca. 235	10					

Wrench included

Size 15

Any angle is possible



Stop block see page C9

FIX WFX15

Part No.	Drive	Type	Standard Output	d [mm]	n [1/min]	i	T [Nm]	EC	IC	p max. [bar]	Dimensions								
											A	R	alpha	L	B	C	B ₁	kg	Pic.
713WFX00415E7A-15°	HSK 100	WFX15	ER 40 A	3 - 30	4.000	1:1	150	-	•	100	100	72,5	15°	ca. 235	55	45	90	13	1
713WFX00415E7A-30°													ca. 235	13					
713WFX00415E7A-45°													ca. 235	14				2	
713WFX00415E7A-60°													ca. 270	15					
713WFX00415E7A-75°													ca. 265	15					

Wrench included

All Angle Heads Available With BMS Modular System Output

Please see page E77-80 for BMS Modular Adaptors.

